



American Earth Anchors

The best screw you will have in the dirt™

americaneearthanchors.com

QUICK REFERENCE

3AL-36AT | Specifications

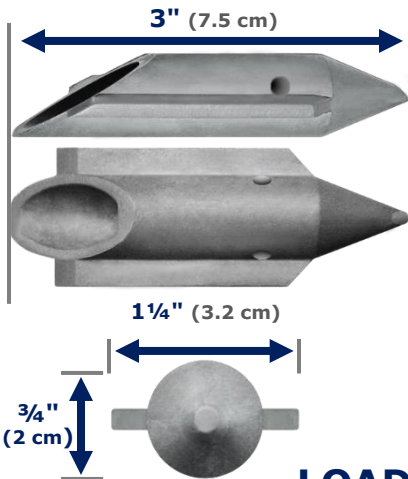
3" bullet with 3' cable and anti-theft loop



Anchor

Anodized cast aluminum

- Aircraft-quality 356 alloy
- Heat-treated to T6 specification



LOAD CAPACITY

Pullout strength at MINIMUM DEPTH 2' (.6 m)

Soil Class 1	Soil Class 2	Soil Class 3	Soil Class 4	Soil Class 4
Hardpan Asphalt	Sandy gravel Very dense sand	Silty/clayey sand Silty gravel	Loose/med dense sands Loose sands Firm clays	Loose fine un- compacted sand
2,000 lb 8.90 kN	1,800 lb 8.01 kN	1,700 lb 7.56 kN	600 lb 2.67 kN	350 lb 1.56 kN

Soil classification per ASTM D-2487/2488

Bullets

All have the same bullet anchor, with different cable lengths or type of cable termination



.5 lb
(.23 kg)



Bullet vs. arrowhead

Streamlined bullet shape is designed for driving through compact or stony soils, gravel, hard clay, and other dense or difficult conditions

Cable

Galvanized steel aircraft cable

Diameter: 1/8" (3 mm)

Length: 3' (.9 m)

Breaking strength:
2,000 lb (8.9 kN)

Available in stainless steel as special order



3AL-36AT | Installation



Don't use rebar – it can get stuck in the bullet!

Drive rod fits into back of the bullet



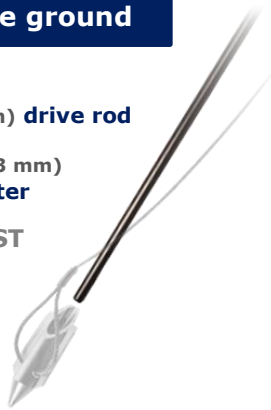
1 DRIVE
bullet to minimum depth of 2' (1 m)

2 REMOVE
the drive rod

3 PULL
the cable to turn ("lock") the bullet

Into the ground

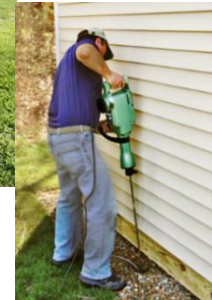
3' (.9 m) drive rod
1/2" (13 mm) diameter
DR-3ST



Safety holding handle
DR-SHH



Sledge hammer



Demolition hammer

Locking the anchor



During locking, anchor will pull up as it turns, settles, and locks. Depending on soil type, this can typically be 1-4 inches (3-10 cm).

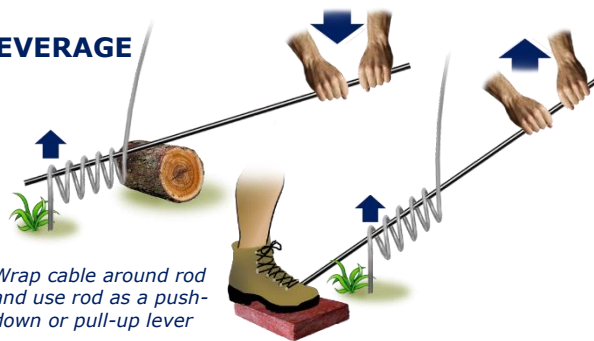
SIMPLE PULL

Wrap cable around rod, hold coils, and PULL



LEVERAGE

Wrap cable around rod and use rod as a push-down or pull-up lever



Through asphalt

Drill PILOT HOLE through asphalt
1" (2.5 cm) diameter

