



American Earth Anchors

The best screw you will have in the dirt™

americaneearthanchors.com

QUICK REFERENCE

3AL-36QV-Disk | Specifications

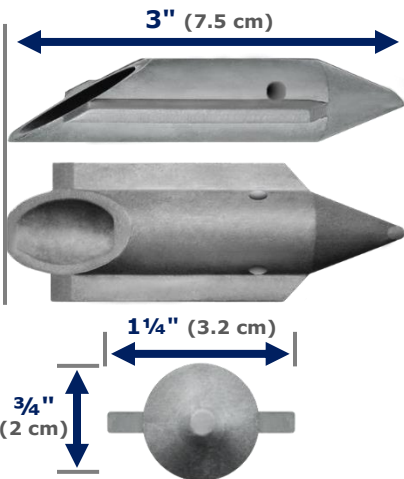
3" bullet
with 3' cable and disk



Anchor

Anodized cast aluminum

- Aircraft-quality 356 alloy
- Heat-treated to T6 specification



Bullets

All have the same bullet anchor, with different cable lengths or type of cable termination



Bullet vs. arrowhead

Streamlined bullet shape is designed for driving through compact or stony soils, gravel, hard clay, and other dense or difficult conditions

.65 lb
(.3 kg)



Cable

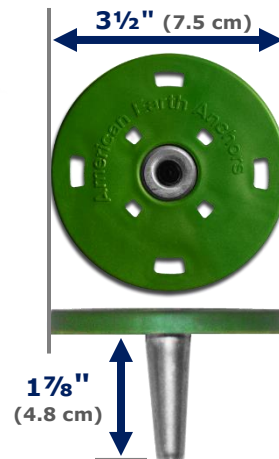
Galvanized steel aircraft cable

Diameter: 1/8" (3 mm)
Length: 3' (.9 m)
Breaking strength: 2,000 lb (8.9 kN)

Available in stainless steel as special order

Disk

with integral Quickvise



- Integral Quickvise
- HDPE disk with holes for roots
- Green color blends with vegetation

LOAD CAPACITY

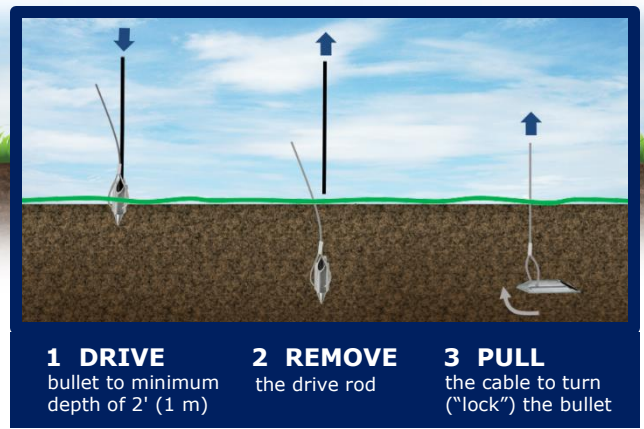
Pullout strength at MINIMUM DEPTH 2' (.6 m)

Soil Class 1	Soil Class 2	Soil Class 3	Soil Class 4	Soil Class 4
Hardpan Asphalt	Sandy gravel Very dense sand	Silty/clayey sand Silty gravel	Loose/med dense sands Loose sands Firm clays	Loose fine un- compacted sand
1,100 lb 4.89 kN	1,100 lb 4.89 kN	1,100 lb 4.89 kN	600 lb 2.67 kN	350 lb 1.56 kN

Soil classification per ASTM D-2487/2488

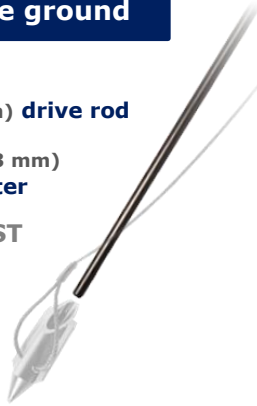


3AL-36QV-Disk | Installation



Into the ground

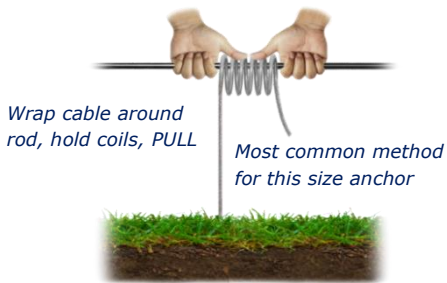
3' (.9 m) drive rod
1/2" (13 mm) diameter
DR-3ST



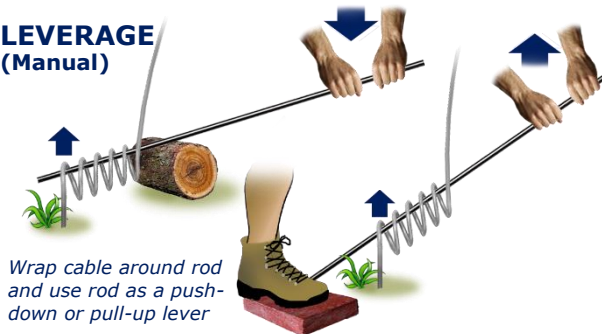
Locking the bullet

During locking, anchor will pull up as it turns, settles, and locks. Depending on soil type, this can typically be 1-4 inches (3-10 cm).

SIMPLE PULL



LEVERAGE (Manual)



LEVERAGE (Mechanical)

Not usually needed for this size anchor



Attaching the disk

- 1 Thread disk onto cable
- 2 Pull cable UP through disk, push disk DOWN against surface

