



American Earth Anchors

The best screw you will have in the dirt™

americanearthanchors.com

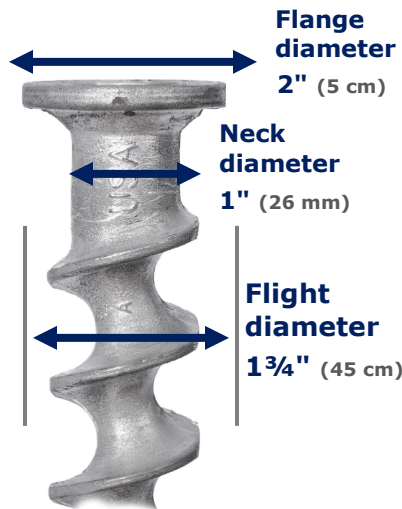
QUICK REFERENCE

PE10SQ | Specifications

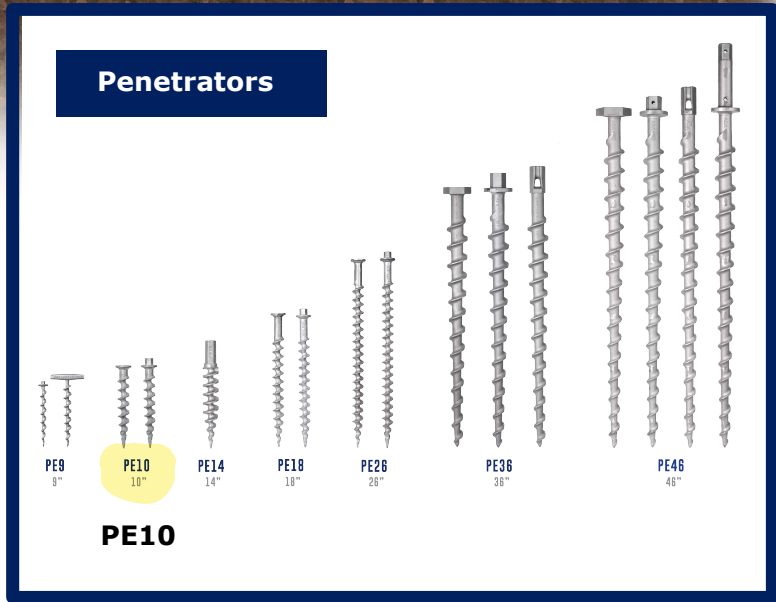
10" Penetrator™

- Aircraft-quality cast aluminum 356 alloy
- Heat-treated to T6 specification
- Install with 1/2" SQ Drive
- Removable

1 lb.



Fits 1/2" square drive



LOAD CAPACITY

Pullout strength with flight fully embedded

Soil Class 1	Soil Class 2	Soil Class 3	Soil Class 4	Soil Class 4
Hardpan Asphalt	Sandy gravel Very dense sand	Silty/clayey sand Silty gravel	Loose/med dense sands Loose sands Firm clays	Loose fine un- compacted sand
1,000 lb 4.45 kN	700 lb 3.11 kN	350 lb 1.56 kN	200 lb 0.89 kN	100 lb 0.44 kN

Soil classification per ASTM D-2487/2488

© 2018 American Earth Anchors QR-PE10SQ May 2026



American Earth Anchors
info@americanearthanchors.com
americanearthanchors.com

Contact us for CUSTOM WORK
Size, length, shape, material,
prototypes, cable assemblies

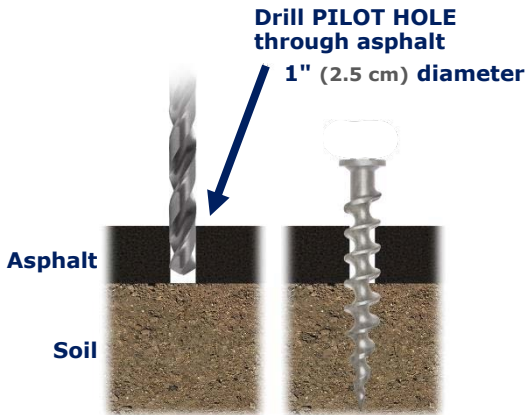


866-520-8511

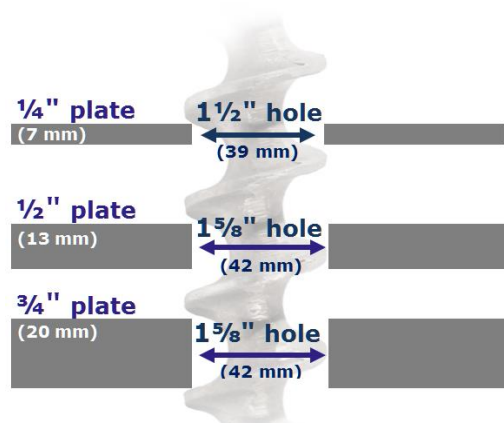


+1 508-520-8511

Through asphalt



Through metal plate



Installation methods



Impact wrench



Attachment accessories

Contact us for custom bracket/sleeve sizes and designs

