



American Earth Anchors

The best screw you will have in the dirt™

americaneearthanchors.com

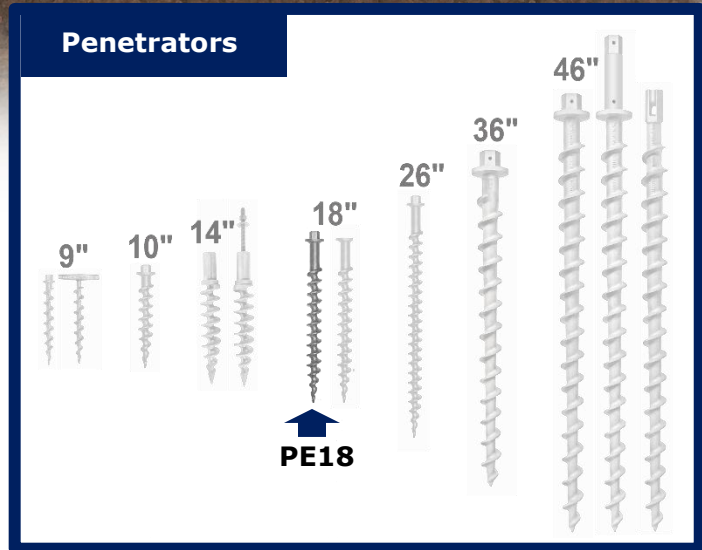
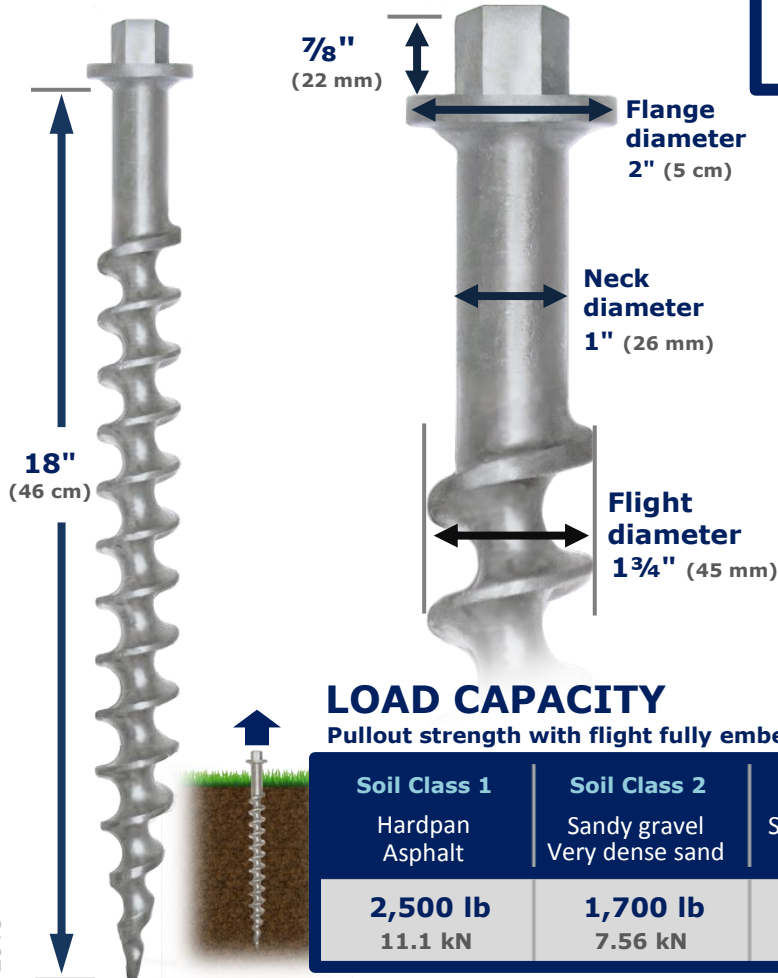
QUICK REFERENCE

PE18 | Specifications

18" Penetrator™ with hex head

- Aircraft-quality cast aluminum 356 alloy
- Heat-treated to T6 specification
- Install with 1" or 26 mm socket
- Removable
- National Stock Number (NSN) 4030-01-528-5749

1.5 lb
(.7 kg)



Socket size

1" (26 mm)



6-point socket (instead of 12-point socket) will minimize wear and rounding of hex head for repeated installation/removal

LOAD CAPACITY

Pullout strength with flight fully embedded

Soil Class 1	Soil Class 2	Soil Class 3	Soil Class 4	Soil Class 4
Hardpan Asphalt	Sandy gravel Very dense sand	Silty/clayey sand Silty gravel	Loose/med dense sands Loose sands Firm clays	Loose fine un- compacted sand
2,500 lb 11.1 kN	1,700 lb 7.56 kN	600 lb 2.67 kN	350 lb 1.56 kN	200 lb 0.89 kN

Soil classification per ASTM D-2487/2488

© 2018 American Earth Anchors
QR-PE18 Mar 2018



American Earth Anchors
info@americanea.com
americaneearthanchors.com

Contact us for CUSTOM WORK
Size, length, shape, material,
prototypes, cable assemblies



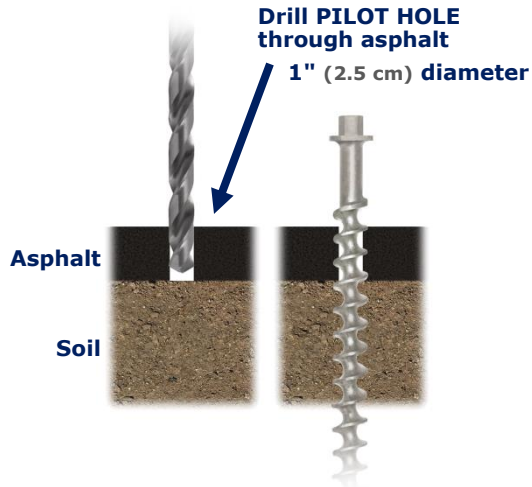
866-520-8511



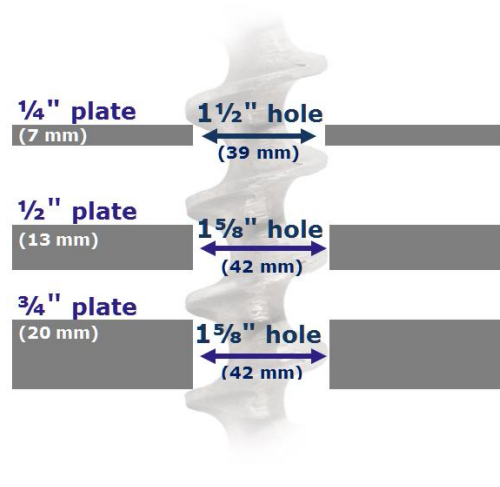
+1 508-520-8511

PE18 | Installation

Through asphalt



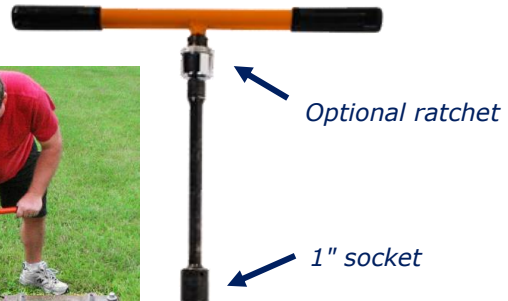
Through metal plate



Installation methods



Impact wrench



T-handle

Attachment accessories

Contact us for custom bracket/sleeve sizes and designs

