



# American Earth Anchors

The best screw you will have in the dirt™

americanearthanchors.com

QUICK REFERENCE

## PE18SQ | Specifications

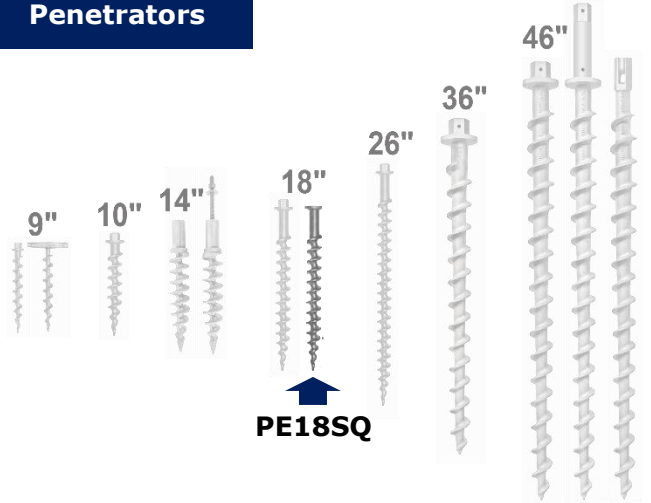
### 18" Penetrator™ with square-drive (flat) head

- Aircraft-quality cast aluminum 356 alloy
- Heat-treated to T6 specification
- Install with 1/2" square drive
- Removable

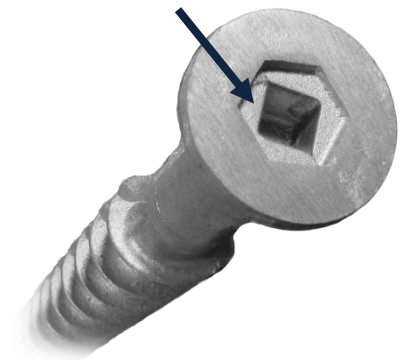
1.3 lb  
(.6 kg)



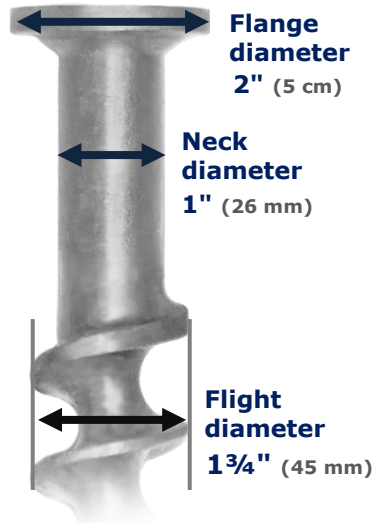
### Penetrators



Fits 1/2" square drive



18"  
(46 cm)



Flange diameter  
2" (5 cm)

Neck diameter  
1" (26 mm)

Flight diameter  
1 3/4" (45 mm)

### LOAD CAPACITY

Pullout strength with flight fully embedded

Soil Class 1	Soil Class 2	Soil Class 3	Soil Class 4	Soil Class 4
Hardpan Asphalt	Sandy gravel Very dense sand	Silty/clayey sand Silty gravel	Loose/med dense sands Loose sands Firm clays	Loose fine un- compacted sand
<b>2,500 lb</b> 11.1 kN	<b>1,700 lb</b> 7.56 kN	<b>600 lb</b> 2.67 kN	<b>350 lb</b> 1.56 kN	<b>200 lb</b> 0.89 kN

Soil classification per ASTM D-2487/2488

© 2018 American Earth Anchors  
QR-PE18-SQ Mar 2018



American Earth Anchors  
info@americanearthanchors.com  
americanearthanchors.com

Contact us for CUSTOM WORK  
Size, length, shape, material,  
prototypes, cable assemblies



866-520-8511



+1 508-520-8511

**PE18SQ**

**Installation**

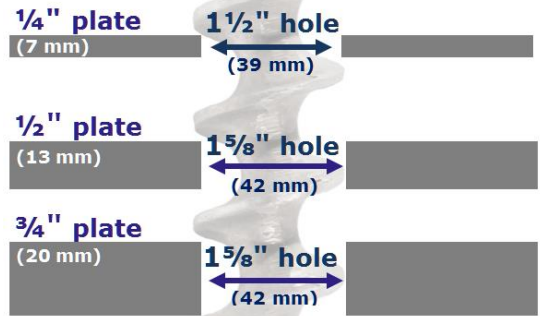
**Through asphalt**

Drill **PILOT HOLE** through asphalt

**1" (2.5 cm) diameter hole**



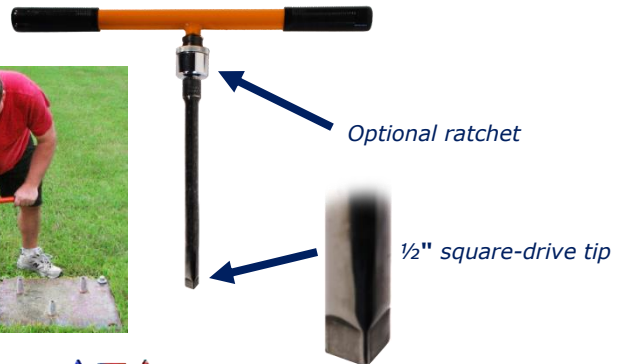
**Through metal plate**



**Installation methods**



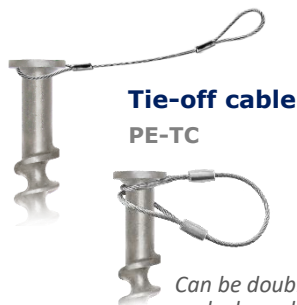
**Impact wrench**



**T-handle**

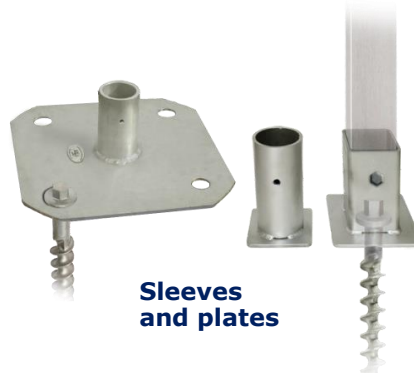
**Attachment accessories**

Contact us for custom bracket/sleeve sizes and designs

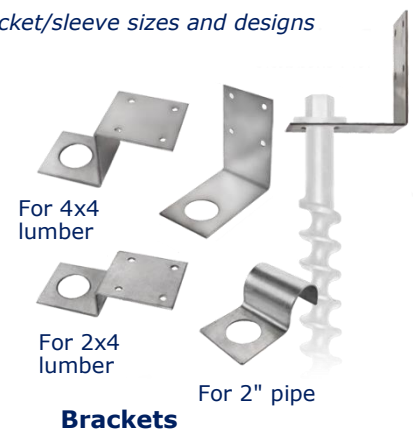


**Tie-off cable**  
PE-TC

Can be doubled over to make large loop around structural member



**Sleeves and plates**



For 4x4 lumber

For 2x4 lumber

For 2" pipe

**Brackets**

