



American Earth Anchors

The best screw you will have in the dirt™

americaneearthanchors.com

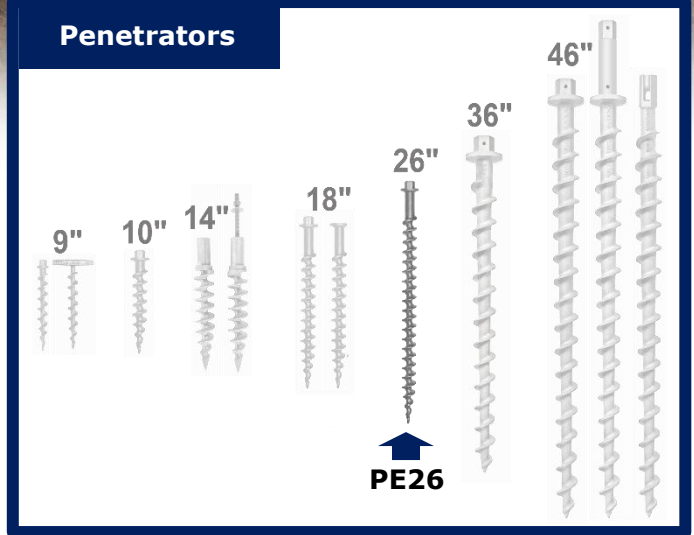
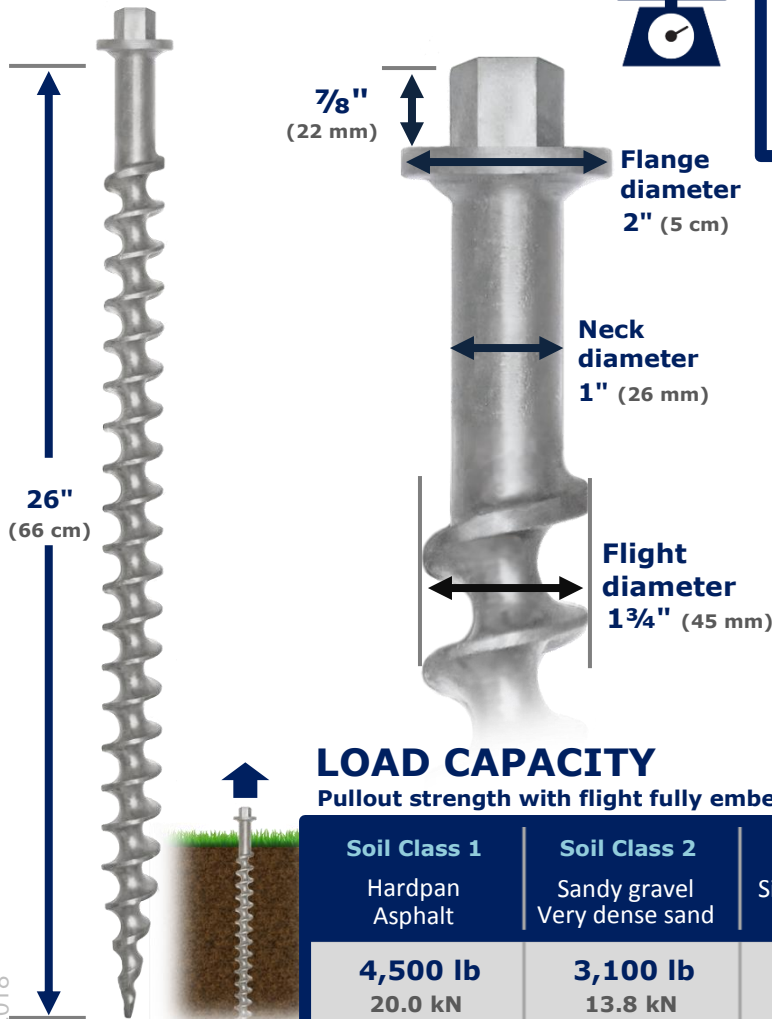
QUICK REFERENCE

PE26 | Specifications

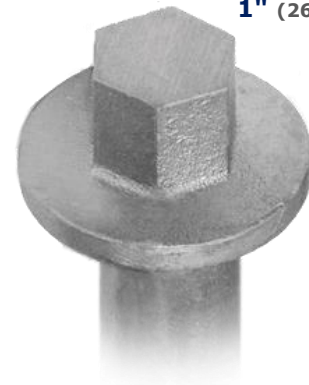
26" Penetrator™

- Aircraft-quality cast aluminum 356 alloy
- Heat-treated to T6 specification
- Install with 1" or 26 mm socket
- Removable

2 lb
(.9 kg)



Socket size
1" (26 mm)



6-point socket (instead of 12-point socket) will minimize wear and rounding of hex head for repeated installation/removal

LOAD CAPACITY

Pullout strength with flight fully embedded

Soil Class 1	Soil Class 2	Soil Class 3	Soil Class 4	Soil Class 4
Hardpan Asphalt	Sandy gravel Very dense sand	Silty/clayey sand Silty gravel	Loose/med dense sands Loose sands Firm clays	Loose fine un- compacted sand
4,500 lb 20.0 kN	3,100 lb 13.8 kN	1,100 lb 4.89 kN	630 lb 2.80 kN	360 lb 1.60 kN

Soil classification per ASTM D-2487/2488

© 2018 American Earth Anchors
QR-PE26 Mar 2018



American Earth Anchors
info@americanea.com
americaneearthanchors.com

Contact us for CUSTOM WORK
Size, length, shape, material,
prototypes, cable assemblies



866-520-8511

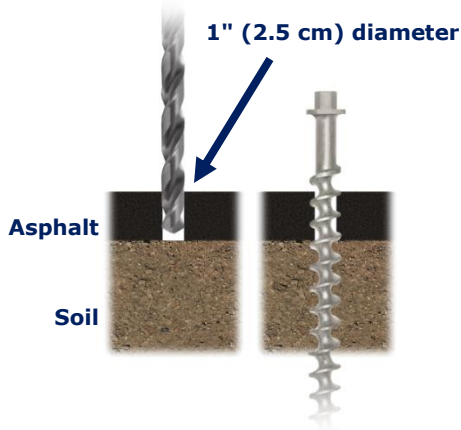


+1 508-520-8511

PE26 | Installation

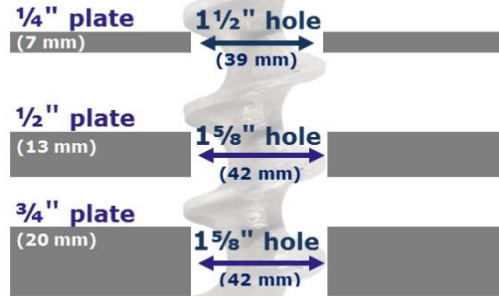
Through asphalt

Drill PILOT HOLE through asphalt



Through metal plate

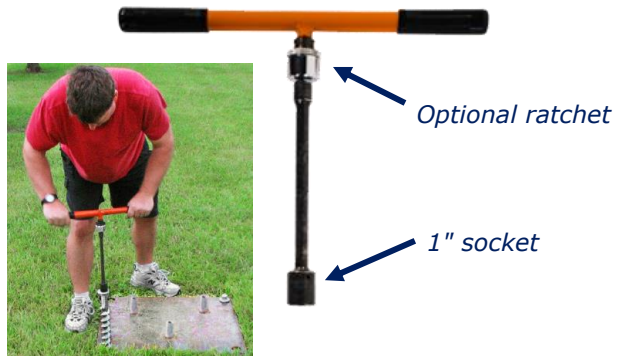
Recommended plate thickness and hole diameter for clear passage of PE26's screw:



Installation methods



Impact wrench



T-handle

Attachment accessories

Contact us for custom bracket/sleeve sizes and designs

