



American Earth Anchors

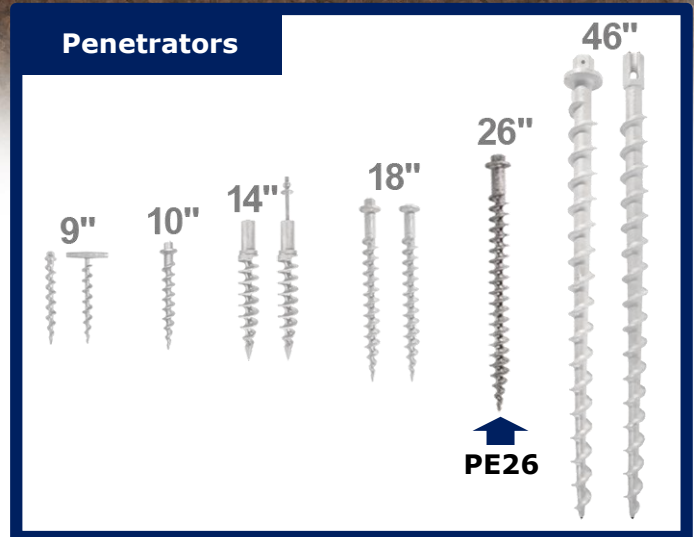
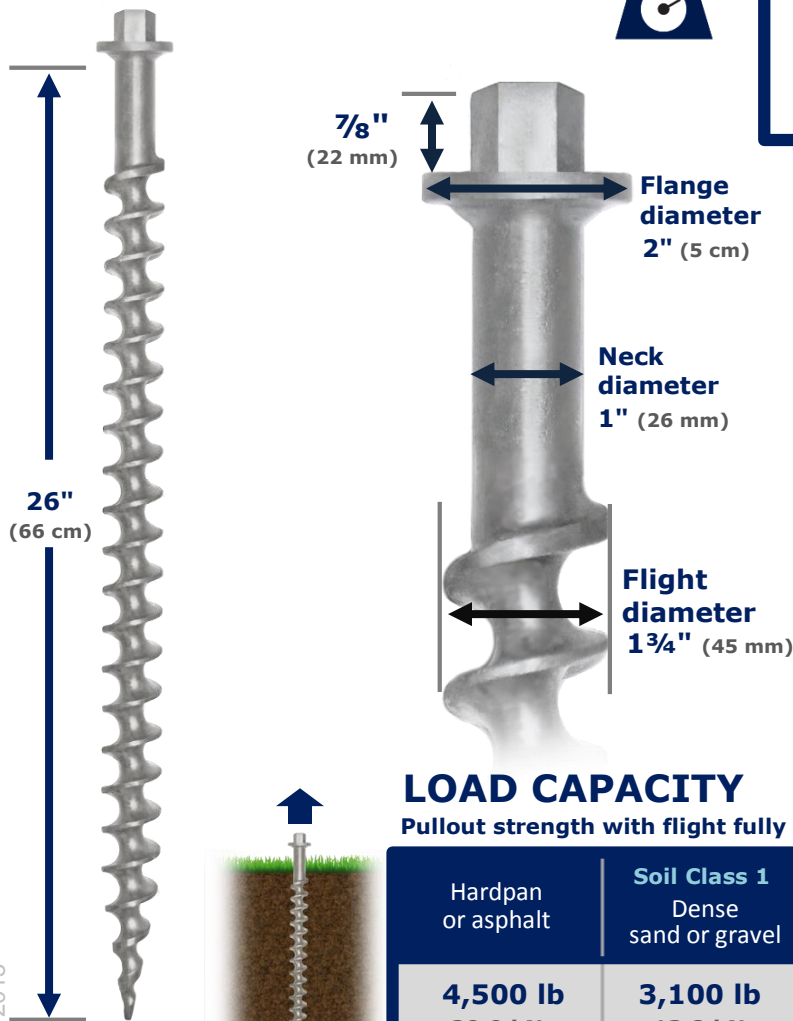
The best screw you will have in the dirt™

QUICK REFERENCE

PE26 | Specifications

26" Penetrator™

- Aircraft-quality cast aluminum 356 alloy
- Heat-treated to T6 specification
- Install with 1" or 26 mm socket
- Removable



6-point socket (instead of 12-point socket) will minimize wear and rounding of hex head for repeated installation/removal

LOAD CAPACITY

Pullout strength with flight fully embedded

	Soil Class 1 Dense sand or gravel	Soil Class 2 Medium sandy gravel	Soil Class 3 Loose medium-to-fine sand	Soil Class 4 Loose fine un-compacted sand
Hardpan or asphalt	4,500 lb 20.0 kN	3,100 lb 13.8 kN	630 lb 2.80 kN	360 lb 1.60 kN

©2015 American Earth Anchors
QR-PE26 Mar 2015



American Earth Anchors
info@americanea.com
americanea.com

Contact us for **CUSTOM WORK**
Size, length, shape, material,
prototypes, cable assemblies



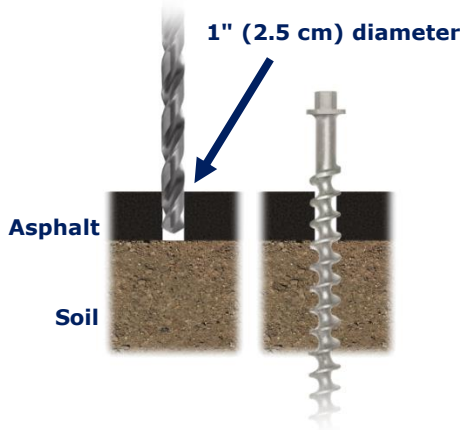
866-520-8511

+1 508-520-8511

PE26 | Installation

Through asphalt

Drill PILOT HOLE through asphalt



Through metal plate

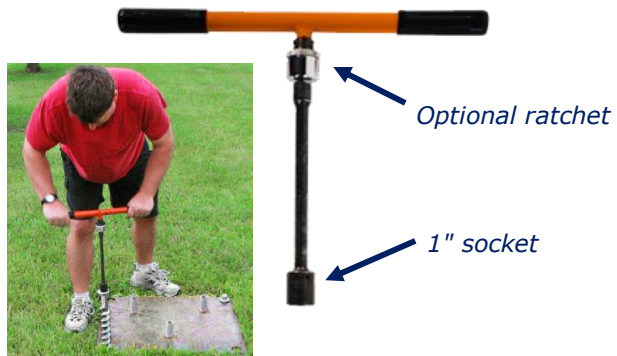
Recommended plate thickness and hole diameter for clear passage of PE26's screw:

1/4" plate (7 mm)	1 1/2" hole (39 mm)
1/2" plate (13 mm)	1 5/8" hole (42 mm)
3/4" plate (20 mm)	1 5/8" hole (42 mm)

Installation methods



Impact wrench



T-handle

Attachment accessories

Contact us for custom bracket/sleeve sizes and designs

